



# UFS

## underfloor trunking system

Hager underfloor trunking system – Designed to incorporate telephone, power and ancillary system service cables and to facilitate distribution in commercial establishments.

Easy and efficient installation, an installation result which is convenient and advantageous – All these statements have one background: Hager.

We have enlarged our range of product solutions and now also offer a range of products for underfloor installation. Customers, who want comfortable installation in commercial and residential buildings, will use Hager products.



The screed embedded trunking system can be installed in offices or administrative buildings, exhibition rooms or in residential construction. The system can be applied where a robust construction is required. The Underfloor Trunking System is a solution for complex power and communication requirements.

Flexible systems for electrical installation are more and more required. The screed embedded trunking system can be used for any kind of screed including monolithic cement screed, floating and flowing screed or mastic asphalt/hot screed.

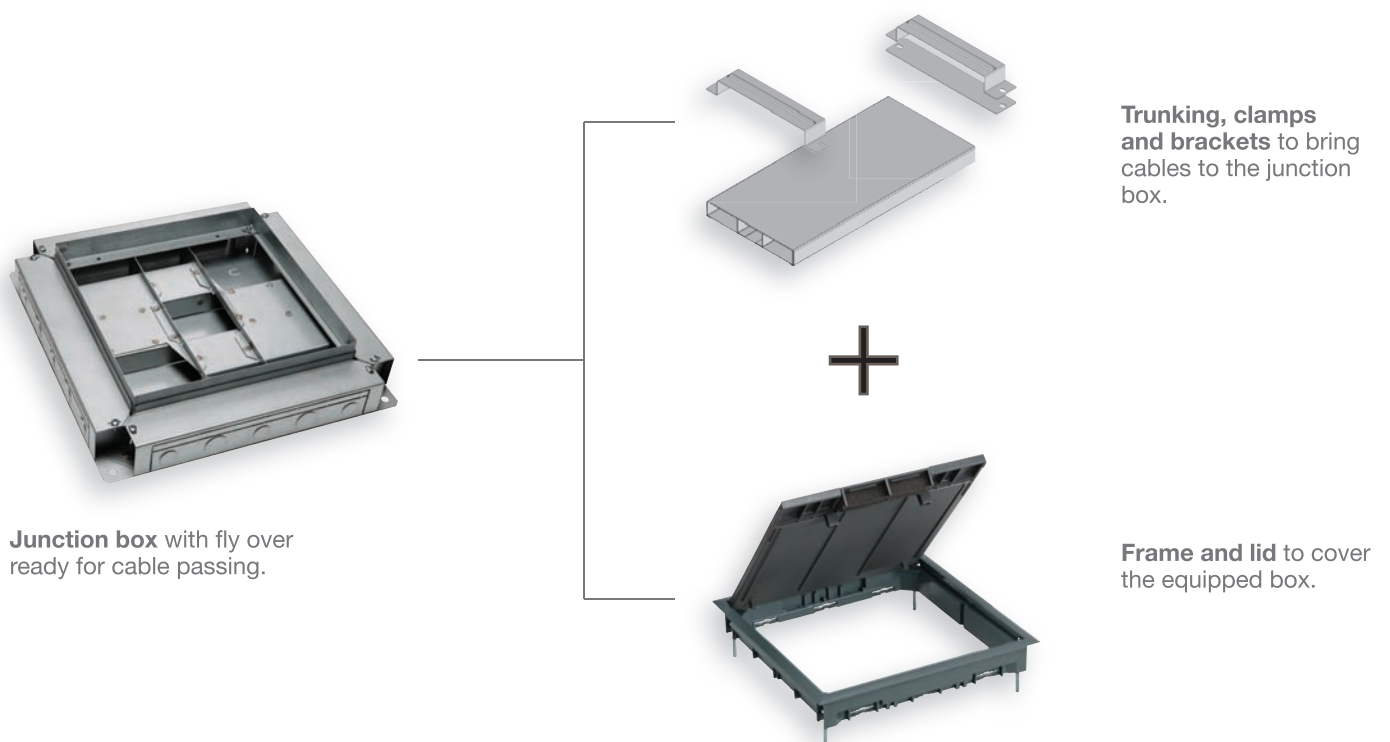
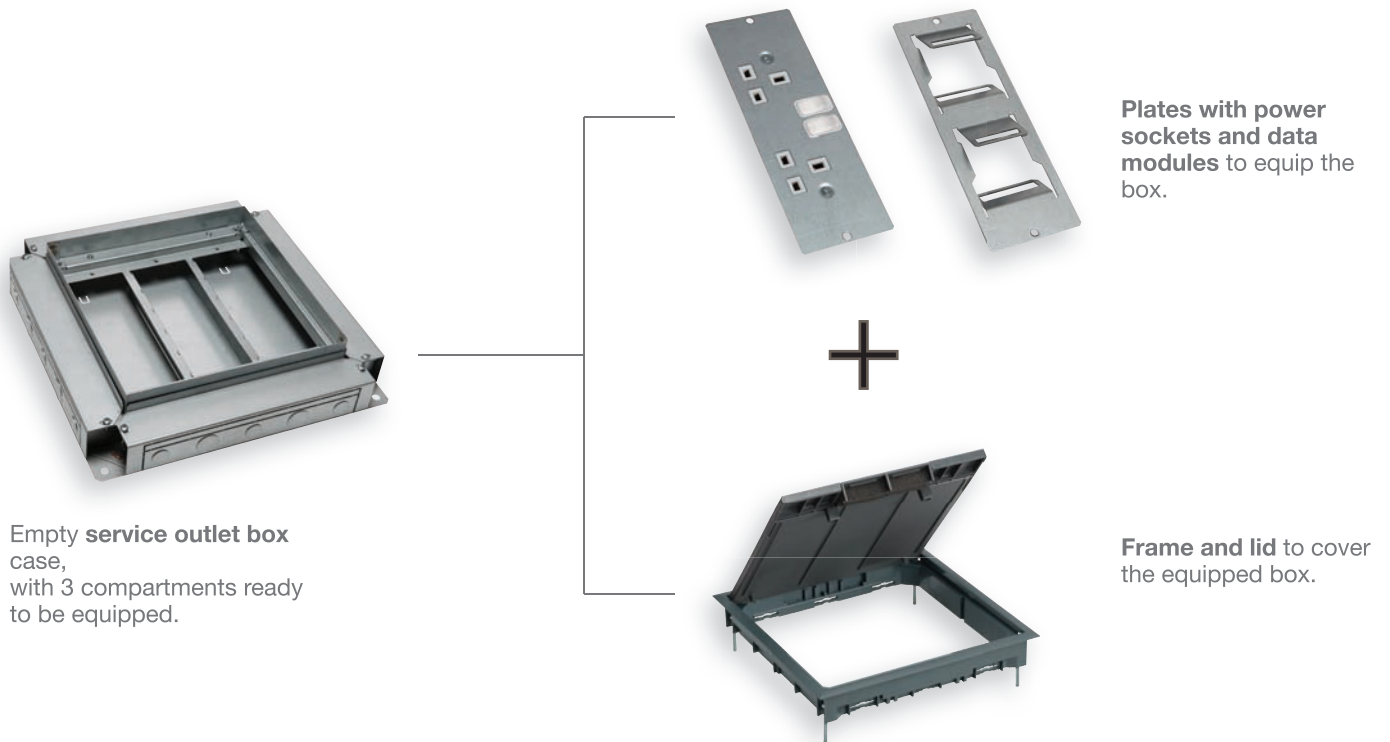
The new system comprises different products which can be used together to provide a customer-oriented underfloor configuration: underfloor trunkings, service outlet boxes and junction boxes in different versions and associated accessories.

Underfloor Trunking Systems are intended for screed laying systems. Screed levels can be adapted from 65mm to 100mm.





# Service outlet and junction boxes





service outlet  
box

A fully equipped **service outlet box** with power sockets and data modules.



junction  
box

A complete **junction box** for secure cable passing.

# Underfloor trunking system

## Easy and efficient

The system is compliant with the current requirements of IEE regulations.

Before planning the underfloor system, the depth of screed must be known. The floor covering (carpet or tiles) is also important to choose the correct system.



### The advantages for you:

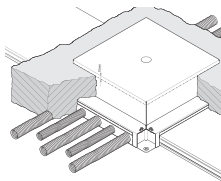
- 3 compartments
- Adapted to install power, telephone and data sockets
- Height adjustable
- For carpet and tile finishes
- Reversible door

### Technical data:

- Available in 250 x 250 mm and 350 x 350 mm sizes
- Galvanized steel (DIN EN 10142)
- High pressure zinc alloy casting support pillars
- Load capacity: 1.5KN (small surface area); 5KN (large surface area)
- Screed height options: 65-85mm; 85-100mm

# Expert tips

1



## Fast and simple installation

The prefabricated underfloor trunkings including accessories allow a fast and simple installation on the site.

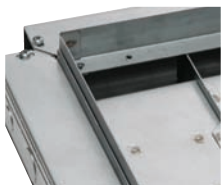
3



## Easy cable installation

Complicated procedures to insert cables are no longer necessary. With this system it is possible to lay cables easily, space-savingly and in a neat and orderly manner or in bundles.

2



## Robust quality

All underfloor trunkings, junction and service outlet boxes are made of galvanized steel according to DIN EN 10142 thus being corrosion-resistant.

### Description

- Consisting of a metal casing for installing onto the level of a structural slab
- The system serves the placement onto the screed.
- Designed for the assembly of devices, subdivided in 3 chambers, e.g power (energy), data, phone.
- Adapted to adjust screed levels with additional lid and frame including a disposable lid.

### Technical data

- Galvanized steel
- Rust protection
- Adapted for conduits with a diameter of 20 – 25mm
- Adapted for a screed height of 65, 85mm or 85-100mm
- Polyamide frame and lid for SB and JB.

### Advantages

- Easy to install
- Feeding via flexible conduits or trunking
- Compartments can be separated
- High stability

### Delivery

- Perforation for feeding via conduits or trunkings
- Earthing connection
- Installation instruction

### Application

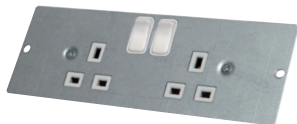
- Adapted to install devices
- 3 compartments
- Mounting in screed
- Height adjustable by lid and frame



HUF-SB2403



HUF-BP3



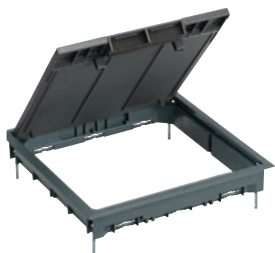
HUF-DPSS82



HUF-DP4M



WGMRJ11 WGMRJ456 WGMV1



HUF-LS240655

| Designation   | Characteristics                              | Cat. ref.            |
|---|--|----------------------|
| <b>Service outlet boxes</b>   | 250 x 250 mm for 240 x 38/28 trunking        | <b>HUF-SB2403</b>    |
|   | 350 x 350 mm for 340/240 x 38/28 trunking    | <b>HUF-SB3403</b>    |
| <b>Blank plate</b>  | sheet steel for service outlet box           | <b>HUF-BP3</b>       |
| <b>13A BS twin switched socket outlet</b>                               | Plate and module together                    | <b>HUF-DPSS82</b>    |
| <b>Socket outlet plate</b>  | Sheet steel to mount socket module           | <b>HUF-SSBS82</b>    |
| <b>Socket Module</b>  | 13A BS twin socket module                    | <b>WMSS82-M</b>      |
| <b>Data outlet plate</b>  | 2 x 2 gang (without data module) sheet steel | <b>HUF-DP4M</b>      |
| <b>RJ11 data module</b>   | keystone 4 pin telephone (22.5 x 45 mm)      | <b>WGMRJ11</b>       |
| <b>RJ45 data module</b>   | keystone 8 pin cat 6 data (22.5 x 45 mm)     | <b>WGMRJ456</b>      |
| <b>Blank plate for data outlet</b>                                      | white plastic (22.5 x 45 mm)                 | <b>WGMV1</b>         |
| <b>Frame and lid for carpet</b><br>for service outlet box<br>depth: 5mm | for screed floor 65-85 mm:<br>250 x 250 mm   | <b>HUF-LS240655</b>  |
|   | 350 x 350 mm                                 | <b>HUF-LS340655</b>  |
|   | for screed floor 85-100 mm:<br>250 x 250 mm  | <b>HUF-LS240855</b>  |
|   | 350 x 350 mm                                 | <b>HUF-LS340855</b>  |
| <b>Frame and lid for tiles</b><br>for service outlet box<br>depth: 12mm | for screed floor 65-85 mm:<br>250 x 250 mm   | <b>HUF-LS2406512</b> |
|   | 350 x 350 mm                                 | <b>HUF-LS3406512</b> |
|   | for screed floor 85-100 mm:<br>250 x 250 mm  | <b>HUF-LS2408512</b> |
|   | 350 x 350 mm                                 | <b>HUF-LS3408512</b> |



### Junction box

- Consisting of a metal casing for installing onto the level of a structural slab
- The system serves the placement onto the screed.
- For a combination with under floor trunkings.
- With an integrated fly over for 3 – chamber – channels.
- Adapted to adjust screed levels with additional lid and frame including a disposable lid.

### Trunking

- Metal channels made of galvanised steel plates/ sheets, subdivided in 3 compartments.
- For constructing a grid, fish-bone or comb pattern installed onto the level of a structural slab.

### Brackets

for the fastening of trunkings, one bracket per feeding (max. 4 brackets per box)

### Clamps UKS

to connect and to fix trunkings (potential equalisation is realized by clamping the trunking end between base and lid)

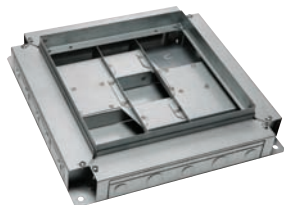
### Advantages

- Easy to install
- High stability

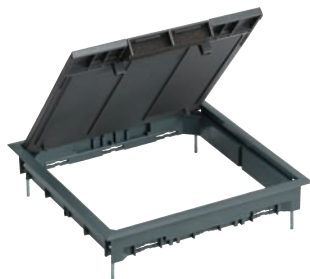
### Technical data

- Material: galvanized steel (DIN EN 10142)
- Thickness (brackets and clamps): 0,90 mm
- 3 compartments
- Trunking UK according DIN VDE 0634 Part 2 for embedding in screed
- 4 dimensions
- Bottom part of trunking with snap-on cover
- Material thickness for trunking: Upper part 1,25 mm, bottom part 0,75 mm, as from trunking width 340 mm material thickness bottom part 0,90 mm
- Standard length of delivery for trunking: 2000 mm

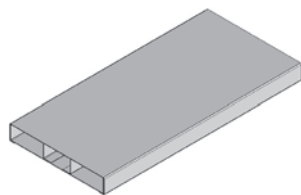
| Designation  | Characteristics                           | Cat. ref.            |
|--|---|----------------------|
| <b>Junction boxes</b>  | 250 x 250 mm for 240 x 38/28 trunking     | <b>HUF-JB2403</b>    |
|  | 350 x 350 mm for 340/240 x 38/28 trunking | <b>HUF-JB3403</b>    |
| <b>Frame and lid for carpet</b><br>for junction box<br>depth: 5mm              | for screed floor 65-85 mm:                |                      |
|  | 250 x 250 mm                              | <b>HUF-LS240655</b>  |
|  | 350 x 350 mm                              | <b>HUF-LS340655</b>  |
|  | for screed floor 85-100 mm:               |                      |
|  | 250 x 250 mm                              | <b>HUF-LS240855</b>  |
|  | 350 x 350 mm                              | <b>HUF-LS340855</b>  |
| <b>Frame and lid for tiles</b><br>for junction box<br>depth: 12mm              | for screed floor 65-85 mm:                |                      |
|  | 250 x 250 mm                              | <b>HUF-LS2406512</b> |
|  | 350 x 350 mm                              | <b>HUF-LS3406512</b> |
|  | for screed floor 85-100 mm:               |                      |
|  | 250 x 250 mm                              | <b>HUF-LS2408512</b> |
|  | 350 x 350 mm                              | <b>HUF-LS3408512</b> |
| <b>Screw type cover</b><br>depth : 7 mm<br>350 x 350 mm                        | for screed floor 65-85 mm                 | <b>HUF-SC340657</b>  |
|  | for screed floor 85-100 mm                | <b>HUF-SC340857</b>  |
| <b>Underfloor trunking</b><br>galvanized steel,<br>3 compartments<br>2m length | 240 x 28 mm                               | <b>UK 240.28-3</b>   |
|  | 240 x 38 mm                               | <b>UK 240.38-3</b>   |
|  | 340 x 28 mm                               | <b>UK 340.28-3</b>   |
|  | 340 x 38 mm                               | <b>UK 340.38-3</b>   |
| <b>Brackets UKB</b><br>for fastening of trunkings<br>sheet steel               | 240 x 28 mm                               | <b>UKB 240.28</b>    |
|  | 240 x 38 mm                               | <b>UKB 240.38</b>    |
|  | 340 x 28 mm                               | <b>UKB 340.28</b>    |
|  | 340 x 38 mm                               | <b>UKB 340.38</b>    |
| <b>Clamps UKS</b><br>for fastening of trunkings<br>sheet steel                 | 240 x 28 mm                               | <b>UKS 240.28</b>    |
|  | 240 x 38 mm                               | <b>UKS 240.38</b>    |
|  | 340 x 28 mm                               | <b>UKS 340.28</b>    |
|  | 340 x 38 mm                               | <b>UKS 340.38</b>    |



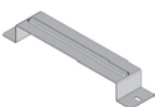
HUF-JB2403



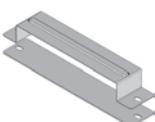
HUF-LS2406512



UK 240.28-3



UKB 240.38

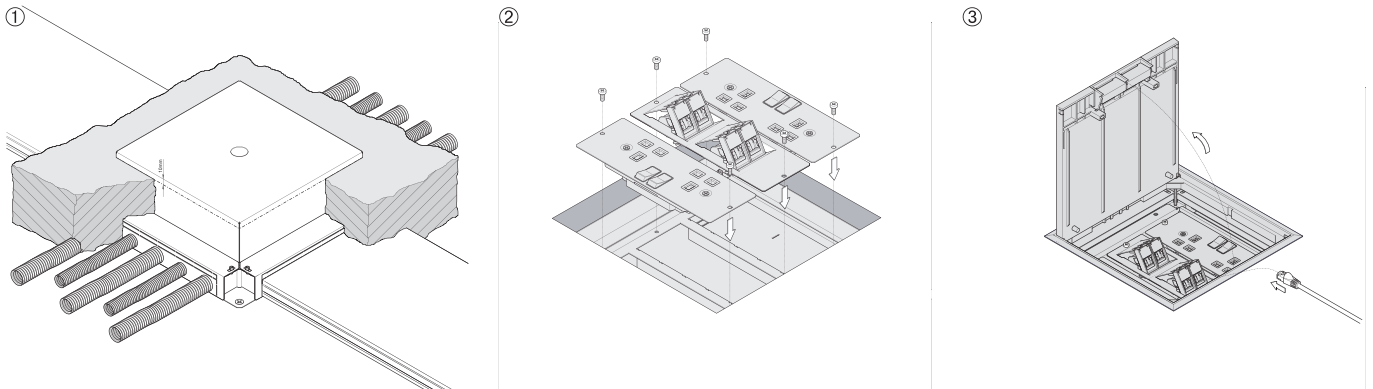


UKS 240.38

## Installation

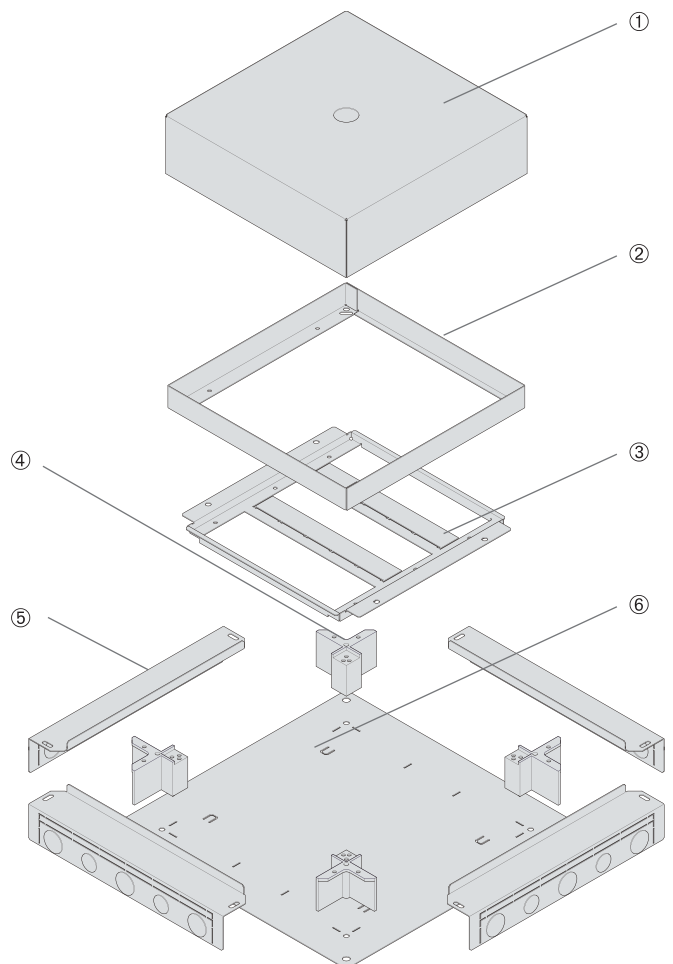
- ① The service outlet box should be positioned according to the development and be placed to the level of the structural slab. The sides are with pre-marked knock-outs for conduits or underfloor trunking. The assembly-protective lid prevents the penetration of screed cement and will be removed after the floor covering.
- ② Devices can be installed after removing the assembly-protective lid. On demand, the earth cable system should be connected first to the electrical grounding's support-points. The devices are going to be fixed to the device's support frame with screws. Partitions are attached to the device support-frames. Three separate chambers are going to be produced through a down folding. Devices for power, data, phones can be installed optionally in each chamber.

- ③ The service outlet box is covered with lid and frame. The frame thereby is placed on the previously laid flooring. Depending on the height of the floor lids and frames can be chosen. Lids and frames are screwed together to the service outlet box. The lid can be then covered with the flooring. The level of the flooring should be compared with the appropriate lids and frames. The cover is designed according to the EN engineering standards with a load of 1500 N. A cable outlet is attached to the cover which protects the devices from damages. The cover can be opened with a metal bracket.



## System overview

- ① Disposable lid
- ② Protective frame
- ③ Frame of device
- ④ Pillar support
- ⑤ Side plate
- ⑥ Ground plate

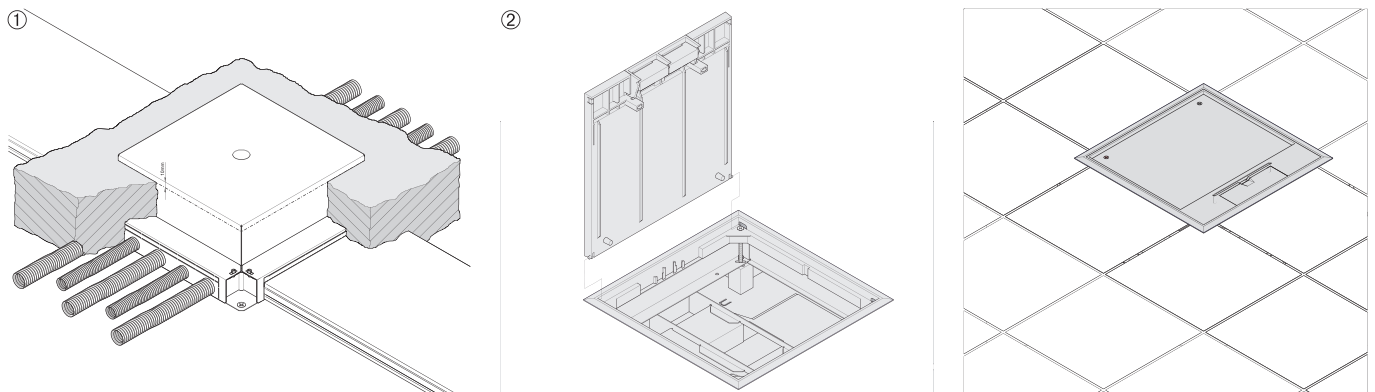


## Installation

① According to the installation structure, grids, fishbones or comb patterns can be produced with the junction box and the under floor trunkings. The sides are with pre-marked knock-outs for conduits or underfloor trunking and there is a fly over integrated in the junction box which serves a cable separation.

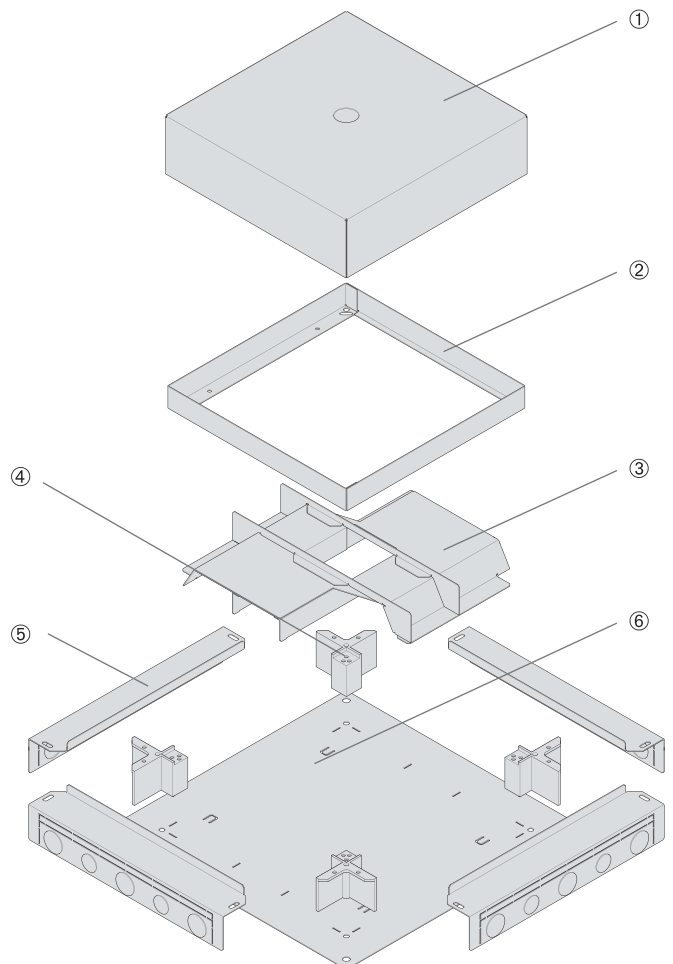
The assembly-protective lid prevents the penetration of screed cement and will be removed after the floor covering.

② The junction box is covered with lid and frame. The frame thereby is placed on the previously laid flooring. Depending on the height of the floor lids and frames can be chosen. Lids and frames are screwed together to the junction box. The lid can be then covered with the flooring. The level of the flooring should be compared with the appropriate lids and frames. The cover is designed according to the EN engineering standards with a load of 1500 N. A cable outlet is attached to the cover which protects the devices from damages. The cover can be opened with a metal bracket.



## System overview

- ① Disposable lid
- ② Protective frame
- ③ Fly over
- ④ Pillar support
- ⑤ Side plate
- ⑥ Ground plate











Hager Middle East FZE  
P.O. Box 61056  
Jebel Ali Free Zone, Dubai  
United Arab Emirates

Tel: + (971) 4 8836 364  
Fax: + (971) 4 8837 993  
[www.hager.ae](http://www.hager.ae)

Hager Vertriebsgesellschaft mbH & Co. KG  
Zum Gunterstal  
66440 Blieskastel  
Germany



Distributor

